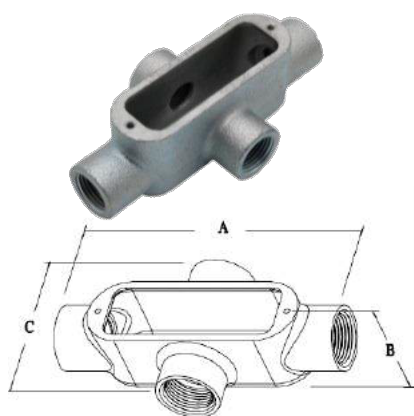


Conduit Bodies

Malleable Iron Conduit Bodies for Rigid/IMC - Wet Locations Rated for Assembly



X Type

Size	Cat. #	Internal Volume Inch ³	Dimensions						Max# of Conductors
			A		B		C		
			Inch	mm	Inch	mm	Inch	mm	
1/2"	X-50M	4	5.43	137.9	1.75	44.5	2.82	71.6	N/A
3/4"	X-75M	7	6.18	157.0	1.99	50.5	3.06	77.7	3 #6
1"	X-100M	12	7.16	181.9	2.25	57.2	3.56	90.4	3 #4
1-1/4"	X-125M	33	9.00	228.6	2.72	69.1	4.29	109.0	3 #2
1-1/2"	X-150M	36	9.07	230.4	2.80	71.1	4.37	111.0	3 #1/0
2"	X-200M	76	11.54	293.1	3.52	89.4	5.15	130.8	3 #2/0

Conduit Bodies



TB Type

Size	Cat. #	Internal Volume Inch ³	Dimensions						Max# of Conductors
			A		B		C		
			Inch	mm	Inch	mm	Inch	mm	
1/2"	TB -50M	4	5.43	137.9	2.21	56.1	1.36	34.5	N/A
3/4"	TB -75M	7	6.18	157.0	2.39	60.7	1.57	39.9	3 #6
1"	TB -100M	12	7.16	181.9	2.86	72.6	1.79	45.5	3 #6
1-1/4"	TB -125M	33	9.00	228.6	3.49	88.6	2.52	64.0	3 #6
1-1/2"	TB -150M	36	9.07	230.4	3.72	94.5	2.52	64.0	3 #4
2"	TB -200M	76	11.54	293.1	4.53	115.1	3.15	80.0	3 #1/0

