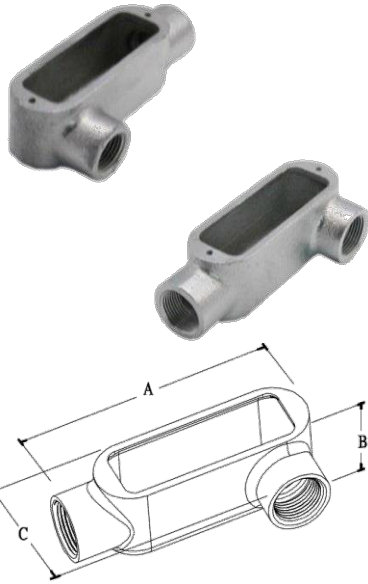


Conduit Bodies

Malleable Iron Conduit Bodies for Rigid/IMC - Wet Locations Rated for Assembly

Conduit Bodies



LL and LR Type

Size	Type		Internal Volume Inch ³	Dimensions						Max# of Conductors
	LL Type Cat. #	LR Type Cat. #		A		B		C		
				Inch	mm	Inch	mm	Inch	mm	
1/2"	LL-50M	LR-50M	4.5	4.69	119.1	1.46	37.1	2.08	52.8	N/A
3/4"	LL-75M	LR-75M	7.5	5.42	137.7	1.65	41.9	2.31	58.7	3 #6
1"	LL-100M	LR-100M	12.5	6.28	159.5	1.98	50.3	2.68	68.1	3 #4
1-1/4"	LL-125M	LR-125M	32	8.12	206.2	2.60	66.0	3.41	86.6	3 #2
1-1/2"	LL-150M	LR-150M	35.3	8.15	207.0	2.80	71.1	3.45	87.6	3 #2
2"	LL-200M	LR-200M	73	10.53	267.5	3.52	89.4	4.15	105.4	3 #4/0
2-1/2"	LL-250M	LR-250M	142	13.76	349.5	3.98	101.1	5.86	148.8	3 #300MCM
3"	LL-300M	LR-300M	173	13.82	351.0	4.65	118.1	5.92	150.4	3 #350MCM
3-1/2"	LL-350M	LR-350M	300	16.65	422.9	5.43	137.9	7.14	181.4	3 #350MCM
4"	LL-400M	LR-400M	330	16.65	422.9	5.74	145.8	7.19	182.6	3 #350MCM

T Type



Size	Cat. #	Internal Volume Inch ³	Dimensions						Max# of Conductors
			A		B		C		
			Inch	mm	Inch	mm	Inch	mm	
1/2"	T-50M	4	5.43	137.9	1.46	37.1	2.08	52.8	N/A
3/4"	T-75M	7	6.18	157.0	1.65	41.9	2.31	58.7	3 #6
1"	T-100M	12	7.16	181.9	1.98	50.3	2.68	68.1	3 #4
1-1/4"	T-125M	33	9.00	228.6	2.72	69.1	3.41	86.6	3 #2
1-1/2"	T-150M	36	9.07	230.4	2.80	71.1	3.45	87.6	3 #1
2"	T-200M	76	11.54	293.1	3.52	89.4	4.15	105.4	3 #2/0
2-1/2"	T-250M	146	15.28	388.1	3.98	101.1	5.86	148.8	3 #300MCM
3"	T-300M	185	15.39	390.9	4.65	118.1	5.92	150.4	3 #300MCM
3-1/2"	T-350M	300	18.30	464.8	5.43	137.9	7.14	181.4	3 #350MCM
4"	T-400M	330	18.30	464.8	5.74	145.8	7.19	182.6	3 #350MCM

