



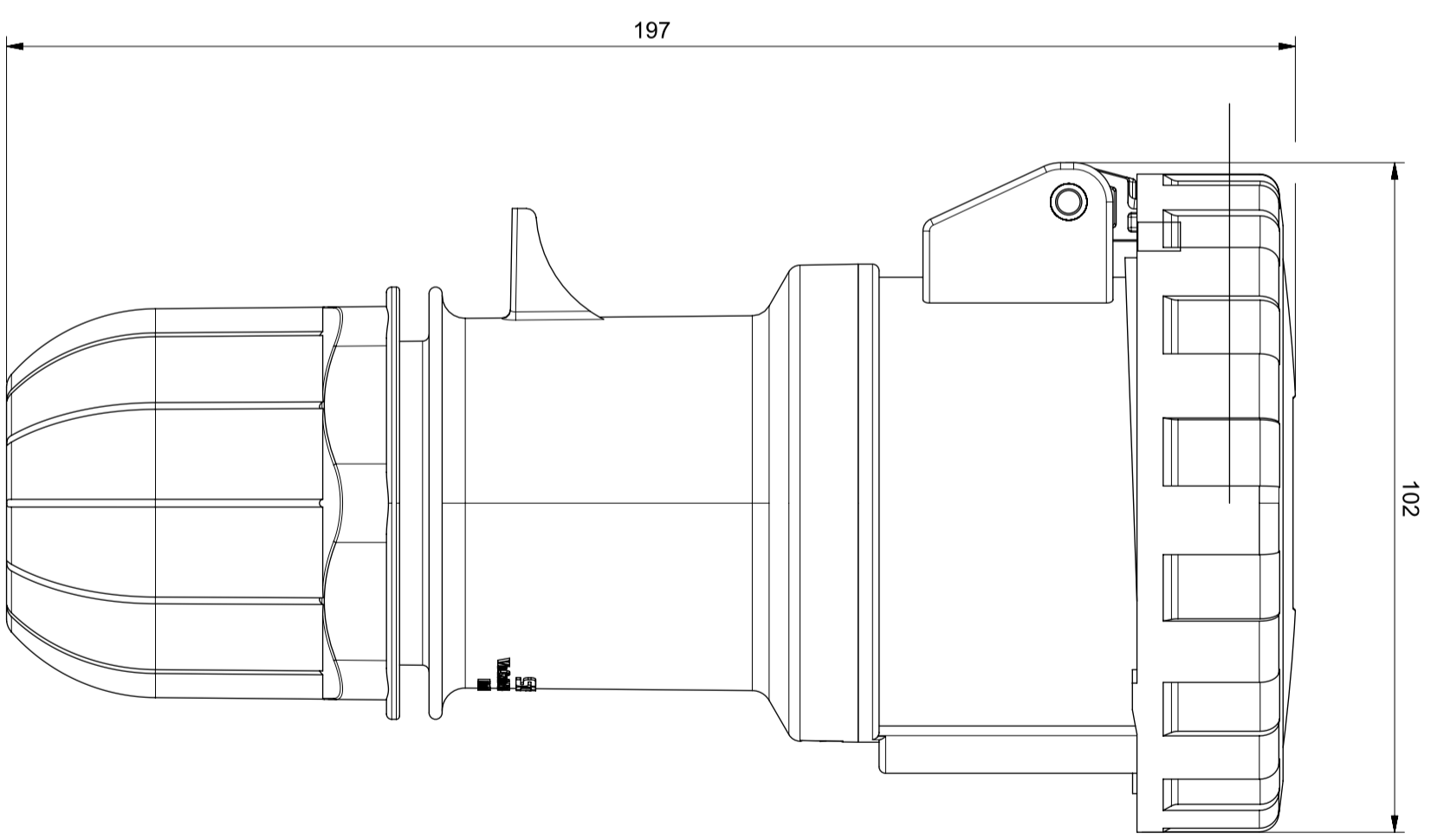
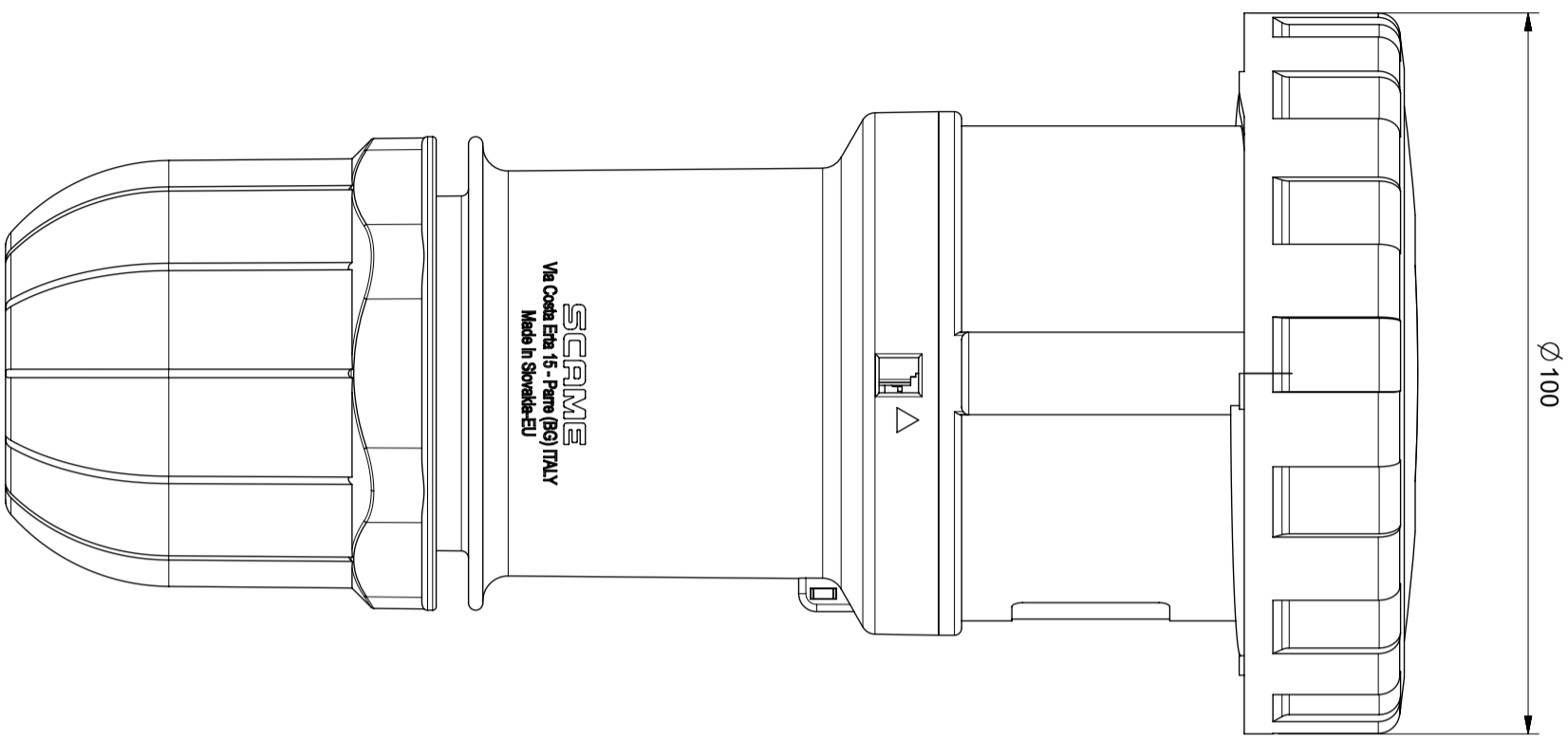
318.3247

PROLONGADOR

32A 3P+N+T 6h 346-415V 50Hz 60Hz Borne de tornillo

Product Approvals

TECHDATA		STANDARDS AND LAWS	
Tipo de producto	PROLONGADOR	EN 60309-1 (1999)	[European Standard] Plugs, socket-outlets and couplers for industrial purposes. Part 1: General requirements
Serie comercial	Serie OPTIMA	EN 60309-2 (1999)	[European Standard] Plugs, socket-outlets and couplers for industrial purposes. Part 2: Dimensional interchangeability requirements for pin and contact-tube accessories of harmonized configurations
Descripción sintética	PROLONGADOR		
Tipo de instalación	PORTÁTIL		
Intensidad nominal	32A	EN 60309-1/A1 (2007)	[European Standard] Plugs, socket-outlets and couplers for industrial purposes. Part 1: General requirements
Polos	3P+N+T	EN 60309-2/A1 (2007)	[European Standard] Plugs, socket-outlets and couplers for industrial purposes. Part 2: Dimensional interchangeability requirements for pin and contact-tube accessories of harmonized configurations
Posición de hora	6h		
Tensión nominal (range)	250-400V	EN 60309-1/A2 (2012)	[European Standard] Plugs, socket-outlets and couplers for industrial purposes. Part 1: General requirements
Tensión nominal	346-415V	EN 60309-2/A2 (2012)	[European Standard] Plugs, socket-outlets and couplers for industrial purposes. Part 2: Dimensional interchangeability requirements for pin and contact-tube accessories of harmonized configurations
Frecuencia nominal	60Hz		
Frecuencia nominal	50Hz		
Color	ROJO	DIRECTIVE LOW VOLTAGE 2014/35 /UE	[European Directives] Low Voltage Directive
Grado de protección	Watertight		
Grado de protección IP	IP66/IP67/IP69		
Tipos de salidas disponibles	RECTA		
Bornes	Borne de tornillo		
Salida del cable	PRENSAESTOPAS		



At the end of the law, we reserve the ownership of this design may not be copied and transfer it to third parties or competitors	Format	A3	Scale	1:1	Mould N°	1000XXXX		Drawn	SCAME
	Tolerances for linear and angular dimensions without indication of specific tolerances: JS13 / UNI EN20286	DESCRIPTION	PRESA MOBILE 3P+N+T IP66/IP67 32A	Date		Approved			


 S.p.A.
 PARRE - (Bergamo)

CODICE Sheet 1 / 1
4002148